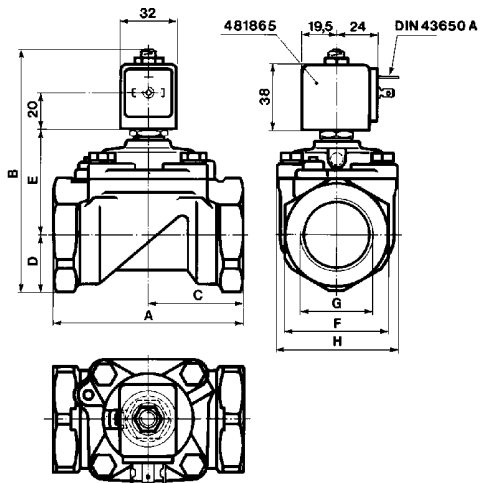


Anti-water hammer valves 2/2 - Pilot operated



	A mm	B mm	C mm	D mm	E mm	F mm	G inch	H mm
G37	100	121	50	23	54	41	1	70
G36	100	121	50	23	54	41	3/4	70
G38	110	137.5	55	33	60.5	60	1 1/4	99
G39	140	144	75	33	67	60	1 1/2	99
G40	150	158.5	80	41.5	73	75	2	99



Dimension reference 11

Electrical parts options with 2/2 anti-waterhammer valves for water and neutral liquids

El. part Group	Coil	Protection class	Protection class / Temperature class	Power		Coil		Coil	Connection	Housing		Ambient temp.	
				DC	AC	Order No.	Ref. No.			Order No.	Ref. No.	min.	max.
1	22 mm	IP 65	Class F	2.5 W	2 W	DA01	488980	for DIN plug	A0	8993	-40	50	
		IP 65	Class F	2.5 W	2 W	DA02	481045	with DIN plug	A0	8993	-40	50	
		IP 65	Class F	5 W	4 W	DA03	481180	for DIN plug	A0	8993	-40	50	
		IP 65	Class F	5 W	4 W	DA04	481530	with DIN plug	A0	8993	-40	50	
		IP 65	EEx m II T4	5 W	4 W	VA01	482605	with 1500mm cable	00	-	-40	50	
		IP 65	EEx m II T5	2.5 W	2 W	VA02	482606	with 1500mm cable	00	-	-40	50	
2	32 mm (Std)	IP 65	Class F	9 W	8 W	DZ02	481865	for DIN plug	N1	2995	-40	50	
		IP 65		9 W	8 W	DZ03	482725	with DIN plug	N1	2995	-40	50	
		IP 65	Class H	9 W	8 W	DZ04	492453	for DIN plug	N1	2995	-40	50	
		IP 65		9 W	8 W	DZ05	492726	with DIN plug	N1	2995	-40	50	
		IP 65	Class F, 50/60 Hz	-	9 W	DZ06	483510	for DIN plug	N1	2995	-40	50	
		IP 65		-	9 W	DZ07	482635	with DIN plug	N1	2995	-40	50	
		IP 65	EEx m II T4	9 W	8 W	HZ05	492670	with 3000mm cable	00	-	-40	40	
		IP 65	Class H	14 W	14 W	DZ08	492425	for DIN plug	N1	2995	-40	50	
	50 mm (Std)	IP 65		14 W	14 W	DZ09	492727	with DIN plug	N1	2995	-40	50	
		IP10 / IP 44	Class F	8 W	8 W	EZ01	481000	screw-terminals	E0	4270	-40	50	
		IP10 / IP 44	Class H	8 W	8 W	EZ02	485100	screw-terminals	E0	4270	-40	50	
		IP10 / IP 44	Class H	14 W	14 W	EZ92	486265	screw-terminals	E0	4270	-40	50	
		IP 67	Class F, M20x1.5	8 W	8 W	EZ01	481000	screw-terminals	G1	4538	-40	50	
		IP 65	EEx m II T5/T4	9 W	8 W	VZ01	492070	with 1500mm cable	00	-	-40	40/65	
		IP 67	EEx me II T4	8 W	8 W	HZ06	483371	for cable connection	00	-	-40	65	
		IP 66	EEx me II T3/T4	11 W	9 W	VZ03	492190	for cable connection	00	-	-40	75/40	
3	32 mm	IP 65	Class H	-	14 W	DZ08	492425	for DIN plug	N1	2995	-40	50	
4	50 mm (impulse)	IP10 / IP 44	Class F	-	11 W	MZ01	484990	screw-terminals	E1	4269	-40	50	
		IP10 / IP 44	Class F	13 W	-	MZ02	485400	screw-terminals	E1	4269	-40	50	
5	50 mm	IP 54	EEx d IIC T4/T5/T6	8 W	8 W	HZ08	483250	for cable 1/2 NPT	00	-	-40	80/75/60	
6	32 mm (Miniwatt)	IP 65	Class F	1.6 W	-	DZ10	482740	for DIN plug	N1	2995	-40	50	
		IP 65	Class F	1.6W	-	DZ11	482745	with DIN plug	N1	2995	-40	50	
	50 mm (Miniwatt)	IP 67	EEx me II T5	2.5 W	-	VZ04	491117	for cable connection	00	-	-40	65	
		IP 67	EEx m II T5/T4	2.5 W	2.5 W	VZ05	492370	with 1500mm cable	00	-	-40	40/65	
		IP 66	EEx me II T6/T5	2.5 W	2.5 W	VZ06	492390	for cable connection	00	-	-40	40/75	
7	32 mm	IP 65	EEx ia II C T6	0.4 W	-	DZ12	483580.01	for DIN plug	N1	2995	-40	55	
		IP 65		0.4 W	-	DZ13	483960.01	with DIN plug	N1	2995	-40	55	
	50 mm	IP 66	EEx ia II C T6	0.4 W	-	VZ07	488650.01	for cable connection	00	-	-40	65	
		IP 67		0.4 W	-	VZ08	488660.01	with 2000mm cable	00	-	-40	65	
		IP 65		0.4 W	-	VZ09	488670.01	with DIN plug	00	-	-40	65	

Note: This table is indicative only. Please contact your distributor to confirm your selection.

Hot water - steam valves

2/2

ACTUATION	BODY MATERIAL	FUNCTION	CONNECTION	ORIFICE (MM)	MAX. PRESSURE (BAR)	PAGE
Direct operated	Brass body	Normally closed	1/4	3 to 5	10.0	72
			3/8	6	5.0	72
			1/2	8.5 to 11	4.0	72
	303 Stainless steel body		1/4	1.5 to 5	100.0	74
Magnalift	Brass body	Normally closed	3/8	15	10.0	76
			1/2	15	10.0	76
			3/4	15	10.0	76
			1	15 to 25	10.0	76
		Normally open	3/8	15	3.5	78
			1/2	15	3.5	78
	303 Stainless steel body	Normally closed	3/8	15	7.0	78
			1/2	15	7.0	78
			3/4	15 to 19	7.0	78
		Normally open	3/8	16	8.5	78
			1/2	16	8.5	78
			3/4	19	8.5	78
Pilot operated	Brass body	Normally closed	1/4	12	12.0	80
			3/8	12 to 15	20.0	80
			1/2	12 to 15	12.0	80
			3/4	15 to 20	12.0	80
			1	18 to 27	12.0	80
			1 1/4	29 to 35	8.5	82
			1 1/2	32 to 40	8.5	82
			2	50	4.0	82
		Normally open	3/8	15	8.5	82
			1/2	16	8.5	82
			3/4	15	8.5	82
			1	27	8.5	82
			1 1/4	28	8.5	82
			1 1/2	31	8.5	82

Notes:

Direct operated and magnalift valves: pressure range from 0 to max pressure.

Pilot operated valves: pressure range from 0.3 to 0.5 bar to max. pressure (refer to tables).