

Synchronous motors Dimension drawings

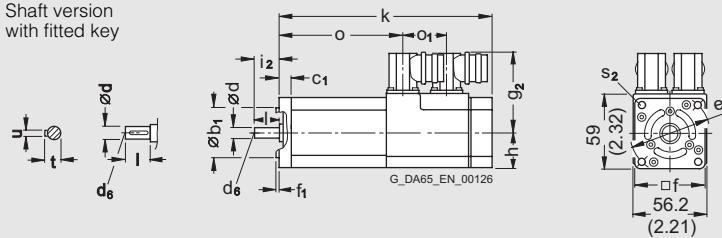
1FT6 motors without/with DRIVE-CLiQ Natural cooling

For motor	Dimensions in mm (in)														Resolver			
	Type	DIN IEC	a ₁ P	b ₁ N	c ₁ LA	e ₁ M	f AB	f ₁ T	g ₂ -	g ₂ -	h H	i ₂ -	s ₂ S	o ₁	k LB	o -	k LB	o -
1FT6, type IM B5, natural cooling, with connector, with/without brake																		
28	1FT6021		-	40 (1.57)	9.8 (0.39)	63 (2.48)	55 (2.17)	2.5 (0.10)	64 (2.52)	73.5 (2.89)	28 (1.10)	20 (0.79)	5.8 (0.23)	34.5 (1.36)	193 (7.60)	122 (4.80)	218 (8.58)	147 (5.79)
	1FT6024														233 (9.17)	162 (6.38)	258 (10.16)	187 (7.36)
36	1FT6031		92 (3.62)	60 (2.36)	8 (0.31)	75 (2.95)	72 (2.83)	3 (0.12)	76 (2.99)	86 (3.39)	36 (1.42)	30 (1.18)	5.5 (0.22)	-	180 (7.09)	151 (5.94)	200 (7.87)	171 (6.73)
	1FT6034														220 (8.66)	191 (7.52)	240 (9.45)	211 (8.31)

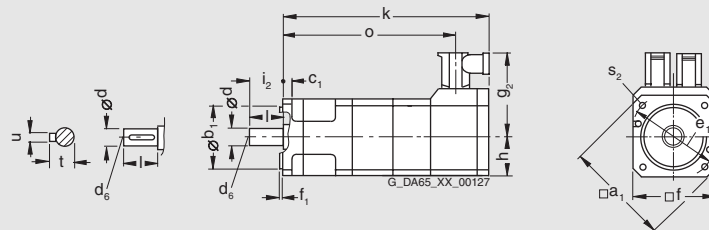
Shaft height	Type	DIN IEC	Incremental encoder sin/cos 1 V _{pp} without brake				Drive end shaft extension				
			k LB	o -	k LB	o -	d D	d ₆ -	l E	t GA	u F
28	1FT6021		193 (7.60)	122 (4.80)	218 (8.58)	147 (5.79)	9 (0.35)	M 8	20 (0.79)	10.2 (0.40)	3 (0.12)
	1FT6024		233 (9.17)	162 (6.38)	258 (10.16)	187 (7.36)					
36	1FT6031		220 (8.66)	151 (5.94)	240 (9.45)	171 (6.73)	14 (0.55)	M 5	30 (1.18)	16 (0.63)	5 (0.2)
	1FT6034		260 (10.24)	191 (7.52)	280 (11.02)	211 (8.31)					

1FT602.

Shaft version
with fitted key



1FT603.



Synchronous motors

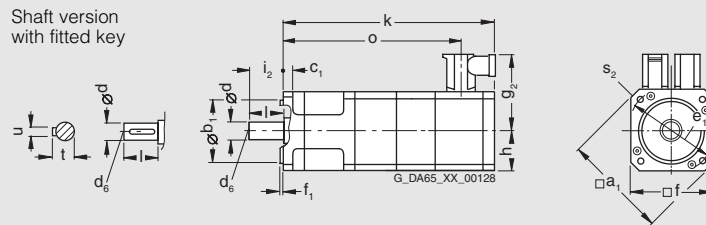
Dimension drawings

1FT6 motors without/with DRIVE-CLiQ Natural cooling

For motor		Dimensions in mm (in)													Resolver			
Shaft height	Type	DIN IEC	a ₁ P	b ₁ N	c ₁ LA	e ₁ M	f AB	f ₁ T	With- out DRIVE- CLiQ	With DRIVE- CLiQ	h H	i ₂ -	s ₂ ¹⁾ S	s ₂ ²⁾ S	without brake		with brake	
									g ₂ -	g ₂ -					k LB	o -	k LB	o -
1FT6, type IM B5, natural cooling, with connector, with/without brake																		
48	1FT6041		120 (4.72)	80 (3.15)	10 (0.39)	100 (3.94)	96 (3.78)	3 (0.12)	80 (3.15)	90 (3.54)	48 (1.89)	40 (1.57)	7 (0.28)	M 6	185 (7.28)	159 (6.26)	220 (8.66)	194 (7.64)
	1FT6044														235 (9.25)	209 (8.23)	270 (10.63)	244 (9.61)
63	1FT6061		146 (5.75)	110 (4.33)	10 (0.39)	130 (5.12)	116 (4.57)	3.5 (0.14)	90 (3.54)	100 (3.94)	58 (2.28)	50 (1.97)	9 (0.35)	M 8	198 (7.80)	172 (6.77)	228 (8.98)	202 (7.95)
	1FT6062														223 (8.78)	197 (7.76)	253 (9.96)	227 (8.94)
	1FT6064														273 (10.75)	247 (9.72)	303 (11.93)	277 (10.91)

Shaft height	Type	DIN IEC	Incremental encoder sin/cos 1 V _{pp}				Drive end shaft extension				
			without brake		with brake		d D	d ₆ -	l E	t GA	u F
48	1FT6041		228 (8.98)	157 (6.18)	263 (10.35)	192 (7.56)	19 (0.75)	M 6	40 (1.57)	21.5 (0.85)	6 (0.24)
	1FT6044		278 (10.94)	207 (8.15)	313 (12.32)	242 (9.53)					
63	1FT6061		228 (8.98)	172 (6.77)	258 (10.16)	202 (7.95)	24 (0.94)	M 8	50 (1.97)	27 (1.06)	8 (0.31)
	1FT6062		253 (9.96)	197 (7.76)	283 (11.14)	227 (8.94)					
	1FT6064		303 (11.93)	247 (9.72)	333 (13.11)	277 (10.91)					

**1FT604.
1FT606.**



1) Type IM B5.
2) Type IM B14.

Synchronous motors Dimension drawings

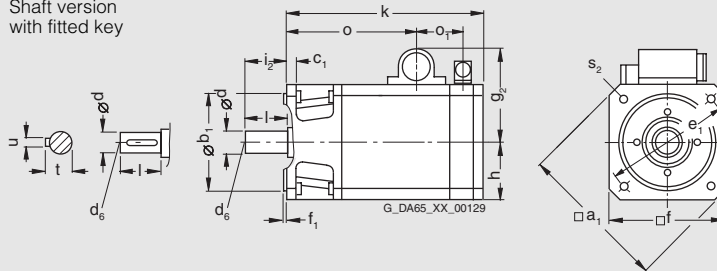
1FT6 motors without/with DRIVE-CLiQ Natural cooling

For motor		Dimensions in mm (in)													Resolver			
Shaft height	Type	DIN IEC	a_1	b_1	c_1	e_1	f	f_1	g_2	h	i_2	$s_2^{1)}$	$s_2^{2)}$	o_1	without brake		with brake	
			P	N	LA	M	AB	T	-	H	-	S	S	-	k LB	o -	k LB	o -
1FT6, type IM B5, natural cooling, with connector, with/without brake																		
80	1FT6081		194 (7.64)	130 (5.12)	12 (0.47)	165 (6.50)	155 (6.10)	3.5 (0.14)	127.5 (5.02)	77.5 (3.05)	58 (2.28)	11 (0.43)	M 10	76 (2.99)	221 (8.70)	113 (4.45)	248 (9.76)	140 (5.51)
	1FT6082														246 (9.69)	138 (5.43)	273 (10.75)	165 (6.50)
	1FT6084														296 (11.65)	188 (7.40)	342 (13.46)	234 (9.21)
	1FT6086														346 (13.62)	238 (9.37)	392 (15.43)	284 (11.18)

Shaft height	Type	DIN IEC	Incremental encoder sin/cos 1 V _{pp}				Drive end shaft extension				
			without brake		with brake		d	d_6	l	t	u
			k LB	o -	k LB	o -	D	-	E	GA	F
80	1FT6081		221 (8.70)	113 (4.45)	248 (9.76)	140 (5.51)	32 (1.26)	M 12	58 (2.28)	35 (1.38)	10 (0.39)
	1FT6082		246 (9.69)	138 (5.43)	273 (10.75)	165 (6.50)					
	1FT6084		296 (11.65)	188 (7.40)	342 (13.46)	234 (9.21)					
	1FT6086		346 (13.62)	238 (9.37)	392 (15.43)	284 (11.18)					

1FT608.

Shaft version
with fitted key



1) Type IM B5.
2) Type IM B14.

Synchronous motors

Dimension drawings

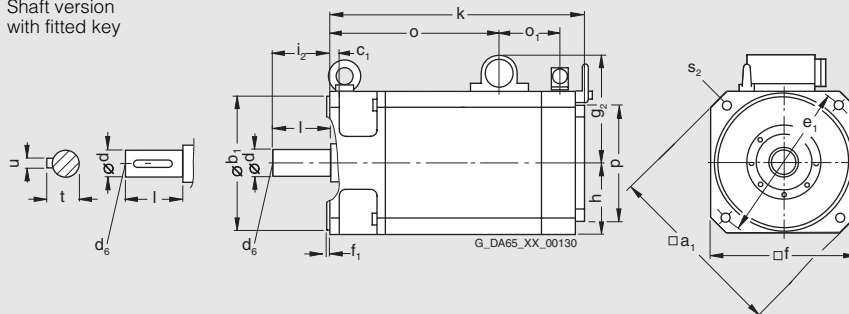
1FT6 motors without/with DRIVE-CLiQ Natural cooling

For motor		Dimensions in mm (in)										Connector				
Shaft height	Type	DIN IEC	a ₁ P	b ₁ N	c ₁ LA	e ₁ M	f AB	f ₁ T	Size		h H	i ₂ -	p HD	s ₂ ¹⁾ S	s ₂ ²⁾ S	o ₁ -
									g ₂ -	g ₂ 3						
1FT6, type IM B5, natural cooling, with connector, with/without brake																
100	1FT6102		240 (9.45)	180 (7.09)	13 (0.51)	215 (8.46)	192 (7.56)	4 (0.16)	146 (5.75)	172 (6.77)	96 (3.78)	80 (3.15)	155 (6.10)	14 (0.55)	M 12	76 (2.99)
	1FT6105															
	1FT6108															
132	1FT6132		-	250 (9.84)	18 (0.71)	300 (11.81)	260 (10.24)	5 (0.20)	172.5 (6.79)	198.5 (7.81)	132 (5.20)	82 (3.23)	245 (9.65)	18 (0.71)	-	66 (2.60)
	1FT6134															
	1FT6136															

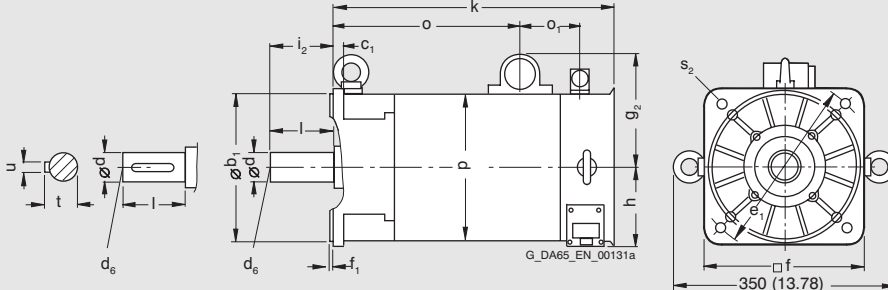
Shaft height	Type	DIN IEC	Resolver				Incremental encoder sin/cos 1 V _{pp}				Drive end shaft extension				
			without brake		with brake		without brake		with brake		d D	d ₆ -	l E	t GA	u F
			k LB	o -	k LB	o -	k LB	o -	k LB	o -					
100	1FT6102		295 (11.61)	186 (7.32)	341 (13.43)	232 (9.13)	295 (11.61)	186 (7.32)	341 (13.43)	232 (9.13)	38 (1.5)	M 12	80 (3.15)	41 (1.61)	10 (0.39)
	1FT6105		370 (14.57)	261 (10.28)	416 (16.38)	307 (12.09)	370 (14.57)	261 (10.28)	416 (16.38)	307 (12.09)					
	1FT6108		470 (18.50)	361 (14.21)	516 (20.31)	407 (16.02)	470 (18.50)	361 (14.21)	516 (20.31)	407 (16.02)					
132	1FT6132		423 (16.65)	288 (11.34)	473 (18.62)	338 (13.31)	423 (16.65)	288 (11.34)	473 (18.62)	338 (13.31)	48 (1.89)	M 16	82 (3.23)	52.5 (2.07)	14 (0.55)
	1FT6134		473 (18.62)	338 (13.31)	523 (20.59)	388 (15.28)	473 (18.62)	338 (13.31)	523 (20.59)	388 (15.28)					
	1FT6136		523 (20.59)	388 (15.28)	573 (22.56)	438 (17.24)	523 (20.59)	388 (15.28)	573 (22.56)	438 (17.24)					

1FT610.

Shaft version
with fitted key



1FT613.



1) Type IM B5.
2) Type IM B14.

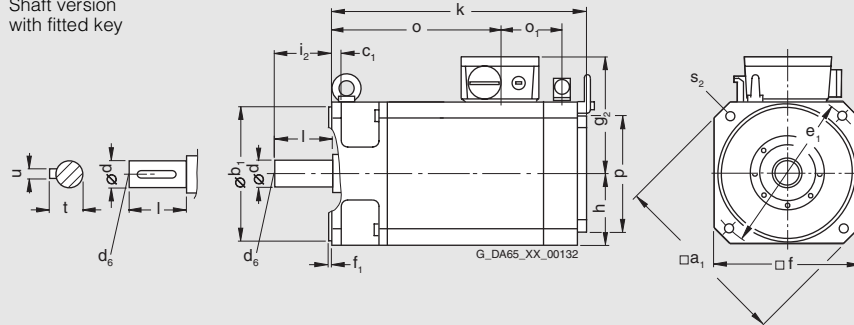
Synchronous motors Dimension drawings

1FT6 motors without/with DRIVE-CLiQ Natural cooling

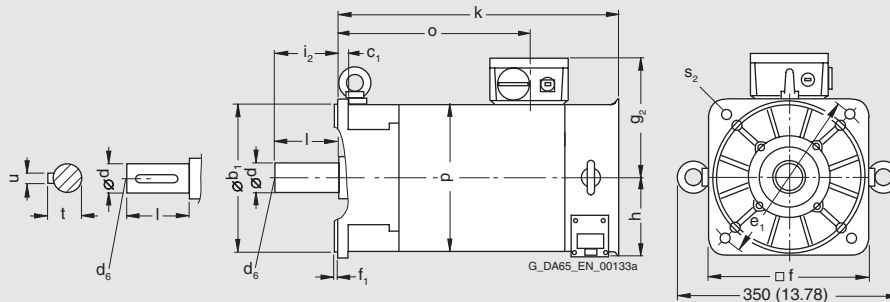
For motor		Dimensions in mm (in)										Terminal box							
Shaft height	Type	DIN IEC	a ₁ P	b ₁ N	c ₁ LA	e ₁ M	f AB	f ₁ T	gk 130		gk 230		h H	i ₂ -	p HD	s ₂ ¹⁾ S	s ₂ ²⁾ S	o ₁ -	
									g ₂ -	g ₂ -	g ₂ -	g ₂ -							
1FT6, type IM B5, natural cooling, with terminal box, with/without brake																			
100	1FT6102 1FT6105 1FT6108		240 (9.45)	180 (7.09)	13 (0.51)	215 (8.46)	192 (7.56)	4 (0.16)	155 (6.10)	160 (6.30)	96 (3.78)	80 (3.15)	155 (6.10)	14 (0.55)	M 12	76 (2.99)			
132	1FT6132 1FT6134 1FT6136		-	250 (9.84)	18 (0.71)	300 (11.81)	260 (10.24)	5 (0.20)	-	194 (7.64)	132 (5.20)	82 (3.23)	245 (9.65)	18 (0.71)	-	-			
Shaft height	Type	DIN IEC	Resolver				Incremental encoder sin/cos 1 V _{pp}				Drive end shaft extension								
			without brake		with brake		without brake		with brake		d	d ₆	l	t	u				
			k	o	k	o	k	o	k	o	D	-	E	GA	F				
100	1FT6102 1FT6105 1FT6108		295 (11.61)	186 (7.32)	341 (13.43)	232 (9.13)	295 (11.61)	186 (7.32)	341 (13.43)	232 (9.13)	38 (1.5)	M 12	80 (3.15)	41 (1.61)	10 (0.39)				
132	1FT6132 1FT6134 1FT6136		423 (16.65)	288 (11.34)	473 (18.62)	338 (13.31)	423 (16.65)	288 (11.34)	473 (18.62)	338 (13.31)	48 (1.89)	M 16	82 (3.23)	51.5 (2.03)	14 (0.55)				

1FT610.

Shaft version
with fitted key



1FT613.



1) Type IM B5.
2) Type IM B14.

Synchronous motors

Dimension drawings

1FT6 motors without/with DRIVE-CLiQ Forced ventilation

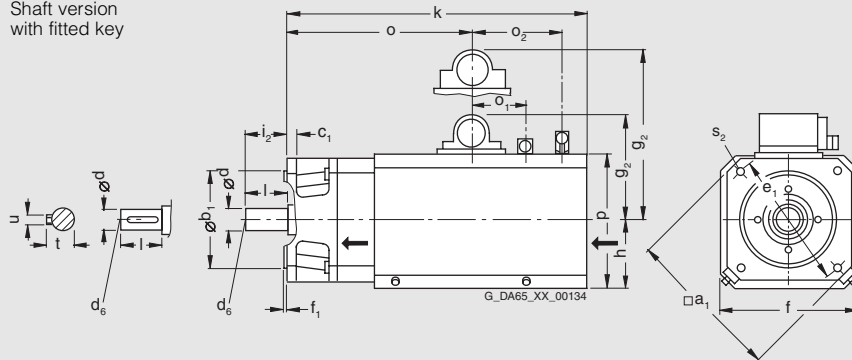
Shaft height	Type	DIN IEC	Dimensions in mm (in)							Connector		h	i ₂	p	s ₂ ¹⁾	s ₂ ²⁾	o ₁	o ₂
			a ₁ P	b ₁ N	c ₁ LA	e ₁ M	f AB	f ₁ T	g ₂	g ₂	Size 1.5							

1FT6, type IM B5, forced ventilation, with connector, with/without brake																			
80	1FT6084		194 (7.64)	130 (5.12)	12 (0.47)	165 (6.50)	185 (7.28)	3.5 (0.14)	140 (5.51)	154 (6.06)	93 (3.66)	58 (2.28)	175 (6.89)	11 (0.43)	M 10	76 (2.99)	169 (6.65)		
		1FT6086																	
100	1FT6105		240 (9.45)	180 (7.09)	13 (0.51)	215 (8.46)	221 (8.70)	4 (0.16)	158 (6.22)	172 (6.77)	111 (4.37)	80 (3.15)	212 (8.35)	14 (0.55)	M 12	76 (2.99)	170 (6.69)		
		1FT6108																	

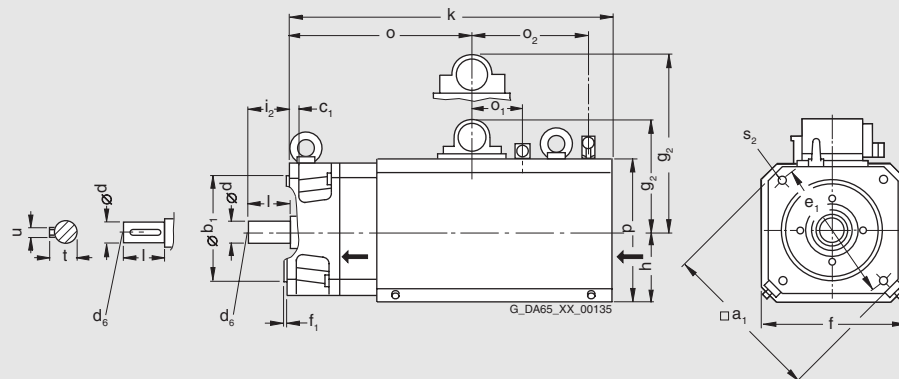
Shaft height	Type	DIN IEC	Resolver/incremental encoder sin/cos 1 V _{pp} without brake				Drive end shaft extension													
			k LB	o -	k LB	o -	d D	d ₆ -	l E	t GA	u F									
80	1FT6084		399 (15.71)	188 (7.40)	445 (17.52)	234 (9.21)	32 (1.26)	M 12	58 (2.28)	35 (1.38)	10 (0.39)									
		1FT6086	449 (17.68)	238 (9.37)	495 (19.49)	284 (11.18)														
100	1FT6105		473 (18.62)	261 (10.28)	519 (20.43)	307 (12.09)	38 (1.5)	M 12	80 (3.15)	41 (1.61)	10 (0.39)									
		1FT6108	573 (22.56)	361 (14.21)	619 (24.37)	407 (16.02)														

1FT608.

Shaft version
with fitted key



1FT610.



1) Type IM B5.
2) Type IM B14.

Synchronous motors Dimension drawings

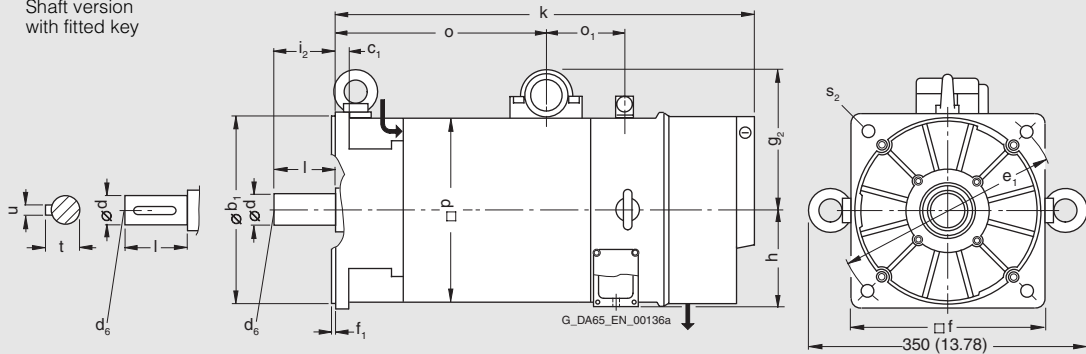
1FT6 motors without/with DRIVE-CLiQ Forced ventilation

For motor		Dimensions in mm (in)														Connector Size 3	
Shaft height	Type	DIN IEC	a ₁ P	b ₁ N	c ₁ LA	e ₁ M	f AB	f ₁ T	g ₂ -	h H	i ₂ -	p HD	s ₂ ¹⁾ S	s ₂ ²⁾ S	o ₁ -	o ₂ -	
1FT6, type IM B5, forced ventilation, with connector, with/without brake																	
132	1FT6132		-	250 (9.84)	18 (0.71)	300 (11.81)	260 (10.24)	5 (0.20)	198.5 (7.81)	132 (5.20)	82 (3.23)	245 (9.65)	18 (0.71)	-	66 (2.60)	-	
	1FT6134																
	1FT6136																

Shaft height	Type	DIN IEC	Resolver/incremental encoder sin/cos 1 V _{pp}				Drive end shaft extension				
			without brake		with brake		d	d ₆	l	t	u
			k	o	k	o	D	-	E	GA	F
132	1FT6132		541 (21.30)	288 (11.34)	591 (23.27)	338 (13.31)	48 (1.89)	M 16	82 (3.23)	51.5 (2.03)	14 (0.55)
	1FT6134		591 (23.27)	338 (13.31)	641 (25.24)	388 (15.28)					
	1FT6136		641 (25.24)	388 (15.28)	691 (27.20)	438 (17.24)					

1FT613.

Shaft version
with fitted key



1) Type IM B5.
2) Type IM B14.

Synchronous motors

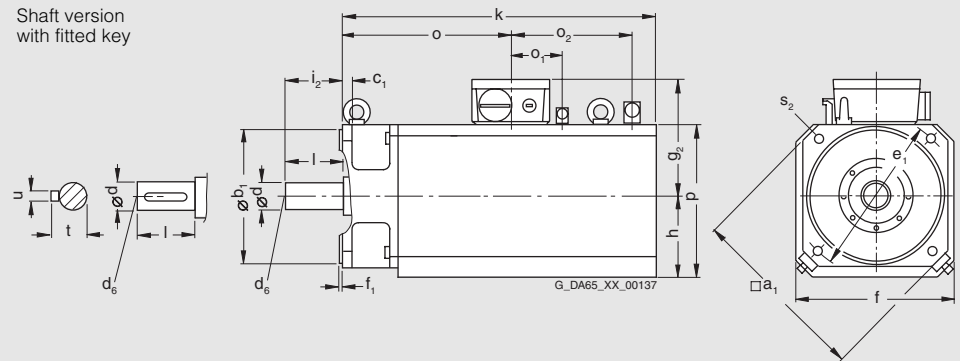
Dimension drawings

1FT6 motors without/with DRIVE-CLiQ Forced ventilation

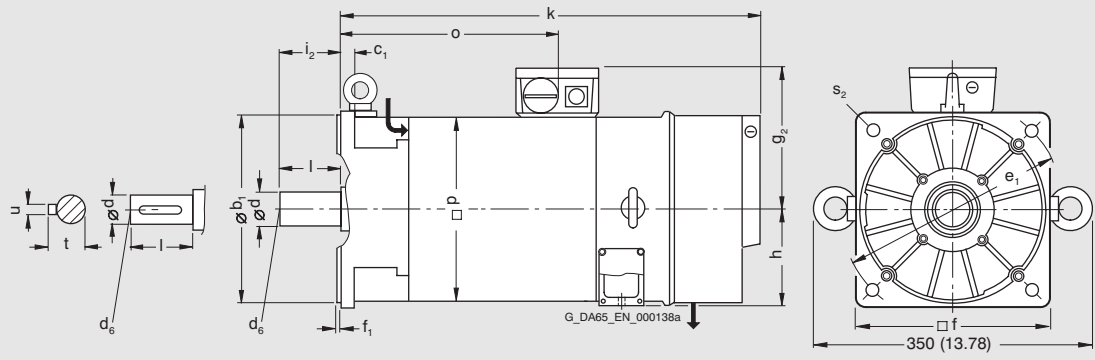
For motor		Dimensions in mm (in)								Terminal box												
Shaft height	Type	DIN IEC	a ₁ P	b ₁ N	c ₁ LA	e ₁ M	f AB	f ₁ T	gk 130			gk 230		gk 420		h H	i ₂ -	p HD	s ₂ ¹⁾ S	s ₂ ²⁾ S	o ₁ -	
									g ₂ -	g ₂ -	g ₂ -	g ₂ -	g ₂ -	g ₂ -								
1FT6, type IM B5, forced ventilation, with terminal box, with/without brake																						
100	1FT6105 1FT6108		240 (9.45)	180 (7.09)	13 (0.51)	215 (8.46)	221 (8.70)	4 (0.16)	167 (6.57)	172 (6.77)	-	111 (4.37)	80 (3.15)	212 (8.35)	14 (0.55)	M 12	76 (2.99)					
132	1FT6132 1FT6134 1FT6136		-	250 (9.84)	18 (0.71)	300 (11.81)	260 (10.24)	5 (0.20)	-	186.5 (7.34)	202 (7.95)	132 (5.20)	82 (3.23)	245 (9.65)	18 (0.71)	-	-					
Shaft height	Type	DIN IEC	Resolver/incremental encoder sin/cos 1 V _{pp} without brake				Drive end shaft extension															
			o ₂ -	k LB	o -	k LB	o -	d D	d ₆ -	l E	t GA	u F										
100	1FT6105 1FT6108		170 (6.69)	473 (18.62)	261 (10.28)	519 (20.43)	307 (12.09)	38 (1.50)	M 12	80 (3.15)	41 (1.61)	10 (0.39)										
132	1FT6132 1FT6134 1FT6136		-	541 (21.30)	288 (11.34)	591 (23.27)	338 (13.31)	48 (1.89)	M 16	82 (3.23)	51.5 (2.03)	14 (0.55)										

1FT610.

Shaft version with fitted key



1FT613.



1) Type IM B5.
2) Type IM B14.

Synchronous motors Dimension drawings

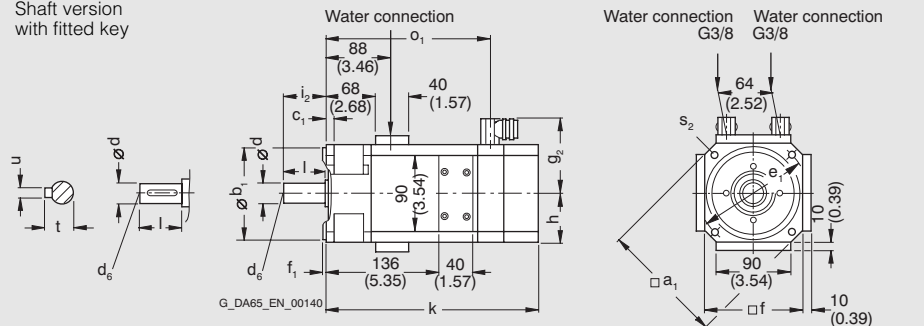
1FT6 motors without/with DRIVE-CLiQ Water cooling

For motor		Dimensions in mm (in)														Connector Size	
Shaft height	Type	DIN IEC	a ₁ P	b ₁ N	c ₁ LA	e ₁ M	f AB	f ₁ T	With DRIVE-CLiQ		Without DRIVE-CLiQ		h H	i ₂ -	p HD	s ₂ ¹⁾ S	s ₂ ²⁾ S
									1	1	1.5	3					
									g ₂ -	g ₂ -	g ₂ -	g ₂ -					
1FT6, type IM B5, water cooling, with connector, with/without brake																	
63	1FT6062 1FT6064		146 (5.75)	110 (4.33)	10 (0.39)	130 (5.12)	116 (4.57)	3.5 (0.14)	100 (3.94)	99 (3.90)	-	-	58 (2.28)	50 (1.97)	-	9 (0.35)	M 8
80	1FT6084 1FT6086		194 (7.64)	130 (5.12)	12 (0.47)	165 (6.50)	155 (6.10)	3.5 (0.14)	-	-	139.5 (5.49)	153.5 (6.04)	77.5 (3.05)	58 (2.28)	-	11 (0.43)	M 10

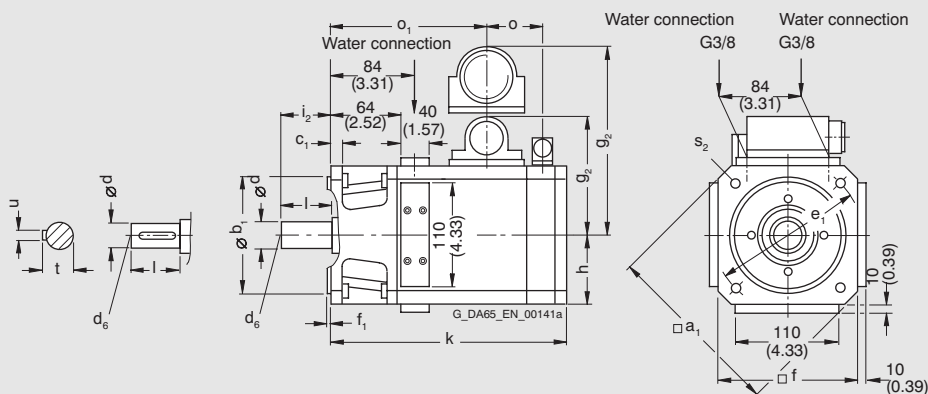
Shaft height	Type	DIN IEC	Resolver/incremental encoder sin/cos 1 V _{pp}				Re- solver			Incremental encoder sin/cos 1 V _{pp}			Drive end shaft extension					
			without brake		with brake		with/without brake			with/without brake			d	d ₆	l	t	u	
			o	k	o ₁	k	o ₁	k	k	o ₁	d	d ₆	l	t	u			
63	1FT6062 1FT6064		-	-	-	-	-	253 (9.96)	283 (11.14)	227 (8.94)	24 (0.94)	M 8	50 (1.97)	27 (1.06)	8 (0.31)			
80	1FT6084 1FT6086		76 (2.99)	296 (11.65)	188 (7.40)	342 (13.46)	234 (9.21)	-	-	-	32 (1.26)	M 12	58 (2.28)	35 (1.38)	10 (0.39)			

1FT606.

Shaft version
with fitted key



1FT608.



1) Type IM B5.
2) Type IM B14.

Synchronous motors

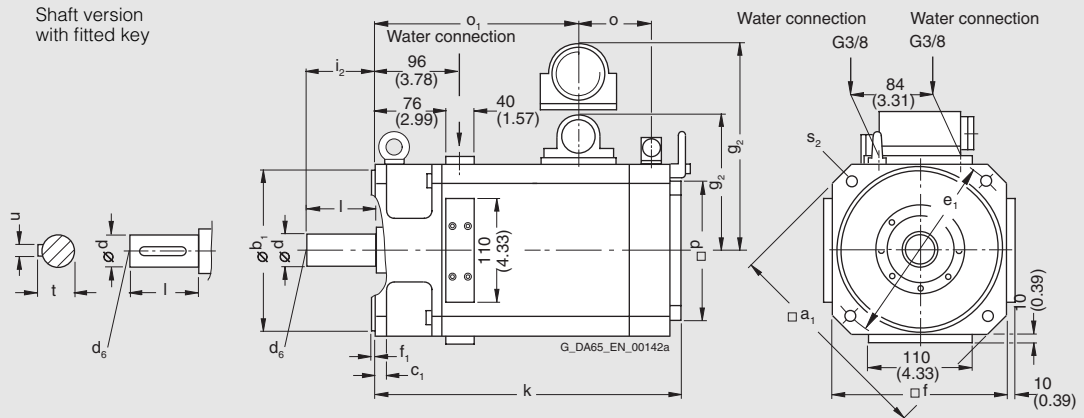
Dimension drawings

1FT6 motors without/with DRIVE-CLiQ Water cooling

For motor		Dimensions in mm (in)										Connector				
Shaft height	Type	DIN IEC	a_1	b_1	c_1	e_1	f	f_1	g_2	g_2	h	i_2	p	$s_2^{1)}$	$s_2^{2)}$	o
			P	N	LA	M	AB	T	-	-	H	-	HD	S	S	-
1FT6, type IM B5, water cooling, with connector, with/without brake																
100	1FT6105		240 (9.45)	180 (7.09)	13 (0.51)	215 (8.46)	192 (7.56)	4 (0.16)	158 (6.22)	172 (6.77)	96 (3.78)	80 (3.15)	155 (6.10)	14 (0.55)	M12	76 (2.99)
	1FT6108															

Shaft height	Type	DIN IEC	Resolver/incremental encoder sin/cos 1 V _{pp} without brake				Drive end shaft extension				
			k	o_1	k	o_1	d	d_6	l	t	u
			LB	-	LB	-	D	-	E	GA	F
100	1FT6105		370 (14.57)	261 (10.28)	416 (16.38)	307 (12.09)	38 (1.50)	M 12	80 (3.15)	41 (1.61)	10 (0.39)
	1FT6108		470 (18.50)	361 (14.21)	516 (20.31)	407 (16.02)					

1FT610.



1) Type IM B5.
2) Type IM B14.

Synchronous motors

Dimension drawings

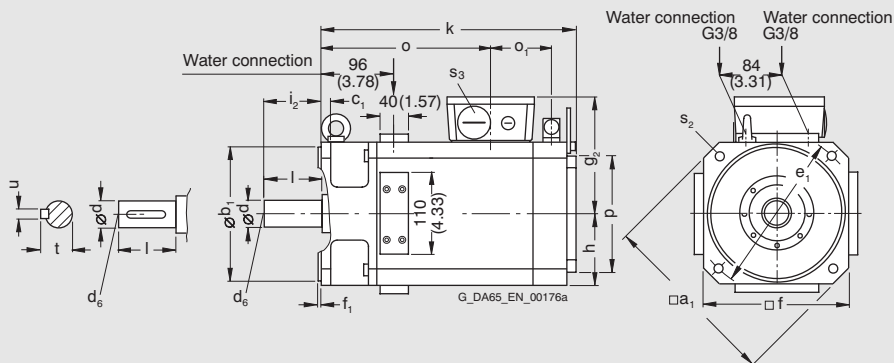
1FT6 motors without/with DRIVE-CLiQ Water cooling

For motor		Dimensions in mm (in)											Resolver/incremental encoder sin/cos 1 V _{pp}						
Shaft height	Type	DIN IEC	a ₁	b ₁	c ₁	e ₁	f	f ₁	g ₂	h	i ₂	k	o	k	o	o ₁	p	s ₂	s ₃
			P	N	LA	M	AB	T	-	H	-	LB	-	LB	-	-	HD	S	-
1FT6, type IM B5, water cooling, with terminal box gk230 for n_{rated} ≤ 2000 rpm, with/without brake																			
100	1FT6105		240	180	13	215	192	4	161	96	80	370	261	416	307	76	155	14	PG29
	1FT6108		(9.45)	(7.09)	(0.51)	(8.46)	(7.56)	(0.16)	(6.34)	(3.78)	(3.15)	(14.57)	(10.28)	(16.38)	(12.09)	(2.99)	(6.10)	(0.55)	
1FT6, type IM B5, water cooling, with terminal box gk420 for n_{rated} = 3000 rpm, with/without brake																			
100	1FT6105		240	180	13	215	192	4	176	96	80	370	261	416	307	-	155	14	PG36
	1FT6108		(9.45)	(7.09)	(0.51)	(8.46)	(7.56)	(0.16)	(6.93)	(3.78)	(3.15)	(14.57)	(10.28)	(16.38)	(12.09)		(6.10)	(0.55)	

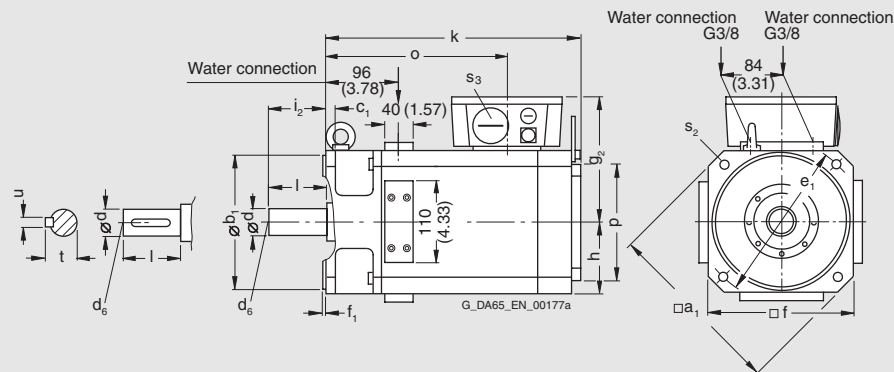
Drive end shaft extension

Shaft height	Type	DIN IEC	d	d ₆	l	t	u
			D	-	E	GA	F
100	1FT6105		38	M 12	80	41	10
	1FT6108		(1.5)		(3.15)	(1.61)	(0.39)
	1FT6105		38	M 12	80	41	10
	1FT6108		(1.50)		(3.15)	(1.61)	(0.39)

1FT610. with terminal box gk320



1FT610. with terminal box gk420



Synchronous motors

Dimension drawings

1FT6 motors without/with DRIVE-CLiQ Water cooling

For motor		Dimensions in mm (in)																	
Shaft height	Type	DIN IEC	a B	b A	b ₁ N	c LA	c ₁ -	e BB	e ₁ M	f AB	f ₁ T	f ₂ -	h H	i ₂ -	k LB	m BA	m ₁ -	m ₂ -	
1FT6 Big Servo, type IM B35, water cooling, with terminal box																			
132	1FT6132		342 (13.46)	216 (8.50)	250 (9.84)	14 (0.55)	16 (0.63)	366 (14.41)	300 (11.81)	260 (10.24)	5 (0.20)	245 (9.65)	132 (5.20)	82 (3.23)	423 (16.65)	36 (1.42)	53 (2.09)	23 (0.91)	
	1FT6134		392 (15.43)					416 (16.38)							473 (18.62)				
	1FT6136		442 (17.40)					466 (18.35)							523 (20.59)				
	1FT6138		517 (20.35)					541 (21.30)							598 (23.54)				

		Drive end shaft extension															
Shaft height	Type	DIN IEC	n AA	o -	p HD	p ₁ AC	s K	s ₂ K	s ₃ -	n _{rated} = 1500 rpm	n _{rated} = 2500 rpm	w ₁ C	d D	d ₆ -	l E	t GA	u F
132	1FT6132		14 (0.55)	255.5 (10.06)	350.5 (13.80)	245 (9.65)	12 (0.47)	18 (0.71)	M 32 x 1.5	M 40 x 1.5	M 40 x 1.5	53 (2.09)	48 (1.89)	M 16	82 (3.23)	51.5 (2.03)	14 (0.55)
	1FT6134			305.5 (12.03)					M 40 x 1.5	M 50 x 1.5	M 50 x 1.5						
	1FT6136			355.5 (14.00)					M 50 x 1.5	M 50 x 1.5	M 50 x 1.5						
	1FT6138			430.5 (16.95)					M 50 x 1.5	M 50 x 1.5	M 50 x 1.5						

1FT613.

